

da Vinci Xi[™]
SURGICAL SYSTEM



THE NEXT FRONTIER FOR
MINIMALLY INVASIVE SURGERY

OUR MISSION

At Intuitive Surgical, we strive to provide
the safest and least invasive option
for surgery.

And we are working hard to make
minimally invasive surgery
the standard of care.

da Vinci[®] Xi[™]
SURGICAL SYSTEM

da Vinci Xi
SURGICAL SYSTEM

CORE TECHNOLOGY

The *da Vinci Xi* Surgical System provides a natural extension of the surgeon's eyes and hands into the patient. As with all *da Vinci* Surgical Systems, the surgeon is always in control.



MAGNIFIED 3D HD VISION

Highly magnified 3D HD technology allows the surgeon to see the surgical site with true depth perception and crystal-clear vision.



ENDOWRIST[®] INSTRUMENTATION WITH INTUITIVE[®] MOTION

Wristed instruments bend and rotate far beyond the abilities of the human hand. Tremor filtration and *Intuitive[®]* motion technologies allow the surgeon to operate with steady, natural motion.



ENHANCED ERGONOMICS

Whether it is the first or last case of the day, the ergonomically adjustable surgeon console is designed to make performing surgery with the *da Vinci* Surgical System feel comfortable and natural.

da Vinci Xi
SURGICAL SYSTEM

THE NEXT FRONTIER FOR MIS



**REVOLUTIONARY ANATOMICAL
ACCESS**



**CRYSTAL-CLEAR 3D HD
VISUALIZATION**

The *da Vinci Xi* Surgical System advances MIS technology for patients like never before by offering revolutionary anatomical access, crystal-clear 3D HD vision, and a platform built for advanced technologies. With the *da Vinci Xi* system, Intuitive Surgical now offers a platform optimized for multiquadrant surgery and complex diseases and conditions.



PLATFORM FOR ADVANCED TECHNOLOGIES

Optional second *da Vinci Xi*™ surgeon console pictured.

REVOLUTIONARY ANATOMICAL ACCESS



PLACE PORTS WITH CONFIDENCE

The *da Vinci Xi* Surgical System is equipped with thin arms and long-reach instruments for more flexible port placement.*

*Compared to the *da Vinci Si* Surgical System

GET STARTED WITH A PRESS OF A BUTTON

With robust functionality, the patient-side cart interface is designed to be simple to use and easy to learn. Features like a guided walkthrough and voice assistance facilitate quick and precise setup.



The *da Vinci Xi* Surgical System combines the functionality of a boom-mounted system with the flexibility of a mobile platform. This hybrid architecture enables placement of the surgical cart at any position around the patient while allowing four-quadrant anatomical access.



TARGET ANATOMY WITH LASER PRECISION

A laser targeting system takes the guesswork out of positioning the patient cart. Once the scope is attached, simply point it at the target anatomy and the system will position the boom in an optimized configuration for the procedure.



CRYSTAL-CLEAR 3D HD VISUALIZATION

A NEW VISION ARCHITECTURE

Optics mounted at the tip of the scope put the camera inside the patient, and allow the surgeon and OR staff to see anatomical structures with better definition and more natural colors.*

*Compared to the *da Vinci Si* Surgical System

GREAT THINGS COME IN SMALL PACKAGES

The camera, endoscope, and cable have been integrated into one small, handheld design. No need for draping, focusing, white balance, or calibration.

ONE-BUTTON IMAGE CAPTURE

Just plug in a thumb drive and automatically save images with a push of a button.



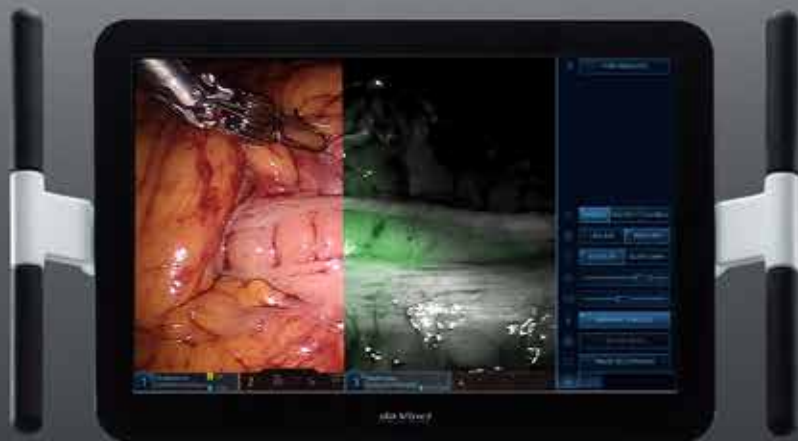
Visualizing anatomy in highly magnified 3D HD is a hallmark of performing surgery with the *da Vinci Xi* Surgical System. A new digital architecture provides the best surgical image ever developed by Intuitive Surgical.



SEE ANATOMY FROM A NEW PERSPECTIVE

The small scope allows it to be placed on any of the four surgical arms during a procedure; this ability provides increased flexibility for visualizing the surgical site.*

*Compared to the *da Vinci Si* Surgical System



FIREFLY™ FLUORESCENCE IMAGING

The *da Vinci Xi* Surgical System is designed to be fluorescence-imaging capable. *Firefly* Fluorescence Imaging provides real-time visualization and assessment of vessels, bile ducts, and tissue perfusion.

PLATFORM FOR ADVANCED TECHNOLOGIES



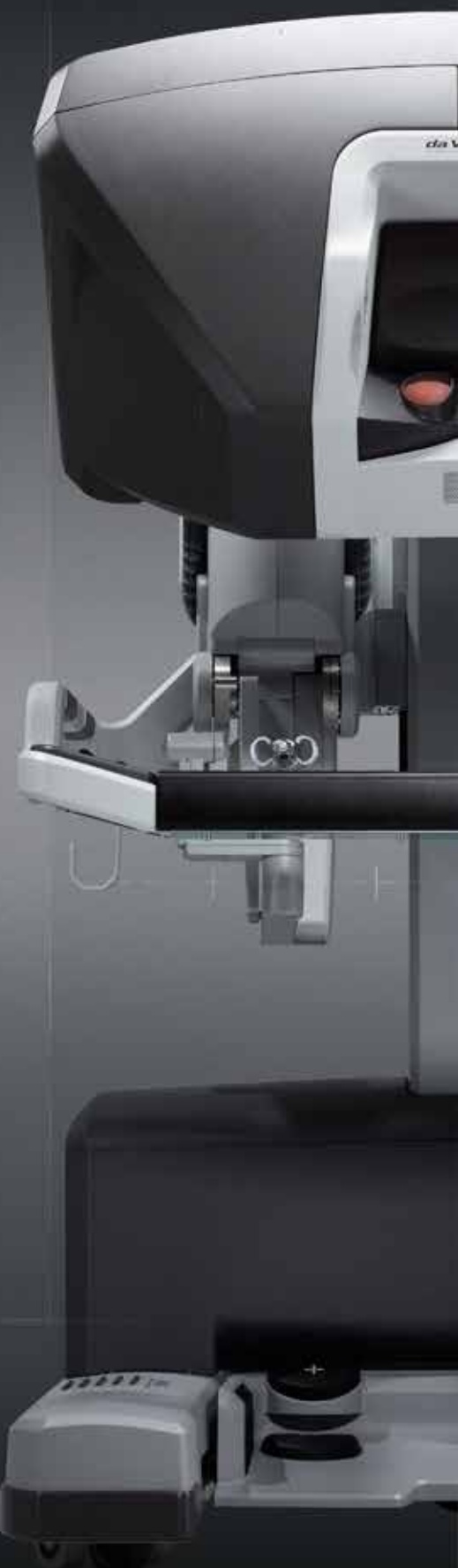
ADVANCED INSTRUMENTS WITH WRISTED MOTION

The *da Vinci Xi* Surgical System is designed to support fully wristed, advanced instruments such as the *EndoWrist* Vessel Sealer for cutting and sealing, and the *EndoWrist* Stapler for articulated stapling with green, blue, and white reloads.



INTEGRATED ENERGY

The ERBE VIO *dV* generator serves as one integrated energy source for *EndoWrist* instruments, like the *EndoWrist* Vessel Sealer, and laparoscopic instruments. Simply set the desired tissue effect and the generator manages and minimizes monopolar and bipolar energy delivered to the surgical site.



Take control of advanced technologies with the built-in expansion capabilities of the *da Vinci Xi* surgeon console. The System is designed to seamlessly integrate innovations such as advanced instrumentation, software upgrades, and other advancements into one dynamic platform.



INTEGRATED TABLE MOTION

The *da Vinci Xi* Surgical System wirelessly connects to a compatible operating table (Trumpf Medical™ TruSytem® 7000dV) to allow the patient to be repositioned while the surgeon operates.



PRACTICE THROUGH SIMULATION

The *da Vinci Xi Skills Simulator*™ allows surgeons to practice the skills required to effectively use the *da Vinci* Surgical System. The Skills Simulator now offers patient-cart simulation capabilities designed to train the perioperative staff.

INTUITIVE

SURGICAL®

www.IntuitiveSurgical.com

WORLDWIDE HEADQUARTERS

1266 Kifer Road, Building 101
Sunnyvale, CA 94086-5304
Tel: +1.408.523.2100
Fax: +1.408.523.1390

EUROPEAN HEADQUARTERS

Intuitive Surgical Sàrl
1, chemin des Mûriers
1170 Aubonne, Suisse
Tel: +41.21.821.2000
Fax: +41.21.821.2001

ASIA PACIFIC HEADQUARTERS

Room 2051, 20th Floor
No. 989 Chang Le Road
Shanghai 200031 P.R. China
Tel: +86.21.5116.6881
Fax: +86.21.5116.6899

To learn more about the
da Vinci Xi Surgical System,
visit www.daVinciXi.com

To contact a representative or
receive additional information, visit
www.intuitivesurgical.com or call
Intuitive Surgical Customer Service
in the U.S. at 1.877.408.3872,
in Europe at +41.21.821.2020 or
+800.0821.2020
or in the rest of the world,
1.408.523.2100.

The Intuitive Surgical Endoscopic Instrument Control System (*da Vinci Xi*™ Surgical System Model IS4000) is intended to assist in the accurate control of Intuitive Surgical Endoscopic Instruments during urologic surgical procedures, general laparoscopic surgical procedures, gynecologic laparoscopic surgical procedures, general thoracoscopic surgical procedures and thoracoscopically-assisted cardiotomy procedures. The system can also be employed with adjunctive mediastinotomy to perform coronary anastomosis during cardiac revascularization. The system is indicated for adult and pediatric use. It is intended to be used by trained physicians in an operating room environment.

The *da Vinci Xi* Surgical System is a class IIb CE marked (CE 0543) medical device under the European Medical Devices Directive (93/42/EEC) manufactured by Intuitive Surgical, Inc.

EndoWrist® Instruments, including blunt and sharp endoscopic dissectors, scissors, scalpels, forceps/pick-ups, needle holders, endoscopic retractors, electrocautery and accessories are intended for endoscopic manipulation of tissue, including grasping, cutting, blunt and sharp dissection, approximation, ligation, electrocautery, suturing, and delivery and placement of microwave and cryogenic ablation probes and accessories.

The *da Vinci Xi* Surgical System *EndoWrist* Instruments are class IIa and class IIb CE marked (CE 0543) medical devices under the European Medical Devices Directive (93/42/EEC) manufactured by Intuitive Surgical, Inc.

All surgery presents risk. While clinical studies support the use of the *da Vinci*® Surgical System (model IS4000) as an effective tool for minimally invasive surgery for specific indications, individual results may vary. Patients and doctors should review all available information on non-surgical and surgical options in order to make an informed decision. For complete technical information, including full cautions and warnings, please refer to the *da Vinci Xi* Surgical System instructions for use and the Instruments & Accessories instructions for use and other product information. Please also refer to www.intuitivesurgical.com/safety for Important Safety Information.

© 2015 Intuitive Surgical, Inc. All rights reserved. TruSystem is a registered trademark of Trumpf GmbH+Co. KG. Product names are trademarks or registered trademarks of their respective holders. PN 1009589 Rev C 8/15